



VEILUX®

DAY / NIGHT INFRARED LENS

VL-0660A

The Veilux IR corrective design of the IR lenses allows sharper images to be produced under various lighting conditions. This is achieved by eliminating the shift of focal points in both the visible and infrared light. In this process, rays from both spectrum can be focused onto the same plane. The veilux auto iris day/night infrared IR corrective lens is suitable for all 1/3" standard box day/night security cameras.

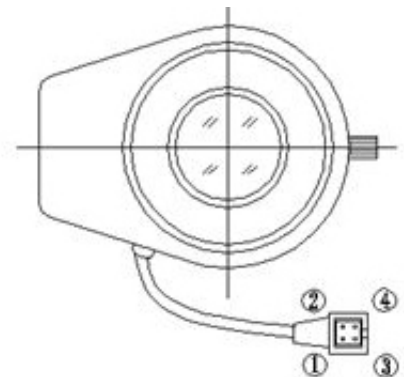
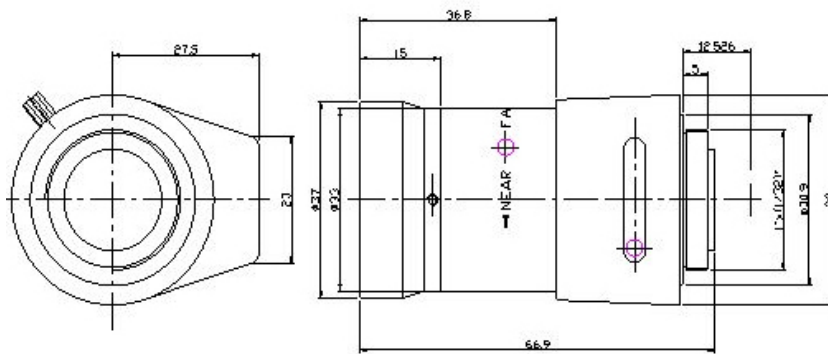


SPECIFICATIONS

ITEM	VL-0660A
Focal Length (mm)	6~60
Aperture (D / F)	1 : 1.6
Mount	CS
Format (Inch)	1/3"
Horizontal Field	44° ~ 4.58°
Dimension (mm)	φ37 x 66.9 x 38
Weight (g)	118
M. O. D. (m)	0.5
Operation	
Focus	(w/lock)
Zoom	(w/lock)
Iris	DC

AUTO-IRIS

DC Resistance	Excite	200Ω±10%
	Brake	560Ω±10%
Operating Voltage	C → 0	0.9V ~ 3V
	0 → C	0.5V Min
Iris Wiring Instruction	1	Drive-
	2	Drive+
	3	Damp+
	4	Damp-
Iris Line Length: 300 mm		



VEILUX®

The Art of Surveillance

802 Greenview Dr, Suite 100, Grand Prairie, Texas 75050
Local Number: (214) 635-4855 / Fax: (214) 988-2858
sales@veilux.net
www.veilux.net